



FirstPower
ENERGY IS FOREVER

EASY AND COMFORT LIFE WITH EXCELLENCE TECHNOLOGY



- EMERGENCY LIGHTING
- ALARM SECURITY EQUIPMENT SYSTEM
- KEY PHONE
- CCTV SURVEILLANCE CAMERA
- DOOR ACCESS SYSTEM
- FIRE ALARM
- ELECTRIC MOTORCYCLE
- EPS
- GOLF CART
- TELE COMMUNICATIONS
- BARRIER SYSTEMS
- AUTOMATIC GATE SYSTEM

OUR COMMITMENTS TO GIVE THE BEST AND LONG RESISTANCE

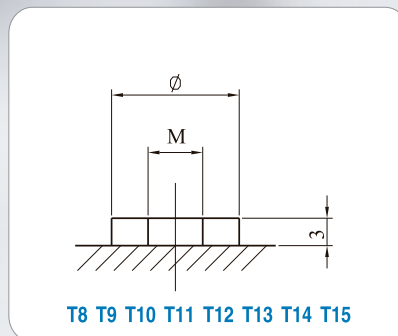
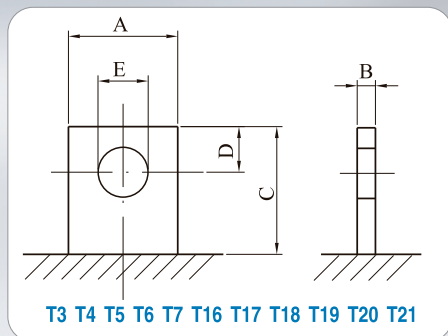
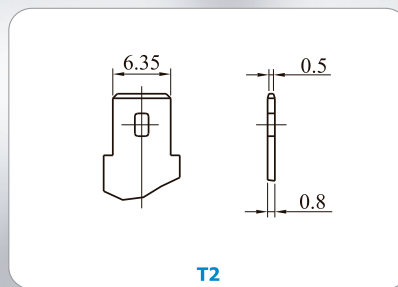
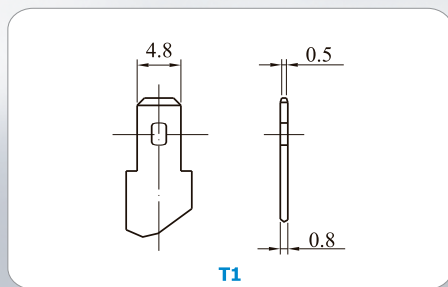
STANDARD BATTERY SERIES SPECIFICATIONS

Model	Nominal Voltage (V)	Capacity (Ah)	Internal Resistance (mΩ)	Dimensions								Terminal		Weight Kg
				Length		Width		Height		Total Height		Type	Position	
				mm	in	mm	in	mm	in	mm	in			
NFP1270	12	7	28	151	5.94	65	2.65	94	3.7	100	3.94	T1/T2/T21	F	2.22
NFP1272	12	7.2	28											2.26
NFP1290	12	9	19			2.60								
NFP12120	12	12	19			3.5								
NFP12170	12	17	17	181	7.13	77	3.03	167	6.57	167/167	6.57/6.57	T3/T8	D	5.1
NFP12180	12	18	16											5.3
NFP12260	12	26	12	166	6.54	175	6.89	125	4.92	125	4.92	T3/T8	D	7.8
NLFP1233	12	33	10	195	7.68	130	5.12	155	6.10	166	6.3	T7/T9	C	9.2
NLFP1240	12	40	8.5	197	7.8	165	6.5	170	6.7	170/170	6.7/6.7	T4/T9	D	12.5
NLFP1265	12	65	6	350	13.78	167	6.57	179	7.05	186	7.32	T5/T9	C	20.8
NLFP1280	12	80	4											23.2
NLFP12100	12	100	4.5	330	13	171	6.7	214	8.4	224/220	8.8	T5/T9	C	30.0
NLFP12120	12	120	4	409	16.1	176	6.93	225	8.86	225	8.86	T5/T11	C	35
NLFP12150	12	150	3.5	485	19.1	172	6.8	240	9.4	242/240	9.5/9.5	T5/T11	C	43
NLFP12200	12	200	3	522	20.6	238	9.4	218	8.6	238/221	9.4/8.7	T5/T11	E	60.5
NLFP12250	12	250	2.6	521	20.5	269	10.6	220	8.7	242/223	9.5/8.8	T5/T11	E	72.8

GEL BATTERY SERIES SPECIFICATIONS

Model	Nominal Voltage (V)	Capacity (Ah)	Internal Resistance (mΩ)	Dimensions								Terminal		Weight Kg
				Length		Width		Height		Total Height		Type	Position	
				mm	in	mm	in	mm	in	mm	in			
NLFP12120G	12	100	4.5	330	13	171	6.7	214	8.4	224/220	8.8	T5/T9	C	30.0
NLFP12150G	12	120	4	409	16.1	176	6.93	225	8.86	225	8.86	T5/T11	C	35
NLFP12200G	12	150	3.5	485	19.1	172	6.8	240	9.4	242/240	9.5/9.5	T5/T11	C	43
NLFP12250G	12	200	3	522	20.6	238	9.4	218	8.6	238/221	9.4/8.7	T5/T11	E	60.5
NLFP12250G	12	250	2.6	521	20.5	269	10.6	220	8.7	242/223	9.5/8.8	T5/T11	E	72.8

TERMINAL TYPE



Type	A	B	C	D	E	Material
T3	12	2.0	14	5.0	5.5	Cu
T4	20	3.0	16	7.0	6.0	Cu
T5	22	3.5	22	8.5	8.0	Cu
T6	17	9.0	18	8.0	6.0	Pb
T7	17	6.0	16	7.0	8.0	Pb
T16	20	3.0	18	7.5	8.0	Cu
T17	18	7.0	20	7.5	7.0	Pb
T18	23	7.0	19	8.5	7.0	Pb
T19	25	7.0	24	10.5	9.0	Pb
T20	27	8.0	29	12.0	9.0	Pb
T21	10	1.5	12	4.0	5.5	Cu

Type	M	Ø	Material
T8	5	12	Cu
T9	6	14	Cu
T10	8	20	Cu
T11	8	16	Cu
T12	8	14	Cu
T13	10	20	Cu
T14	8	18	Cu
T15	6	16	Cu

TERMINAL POSITION :

